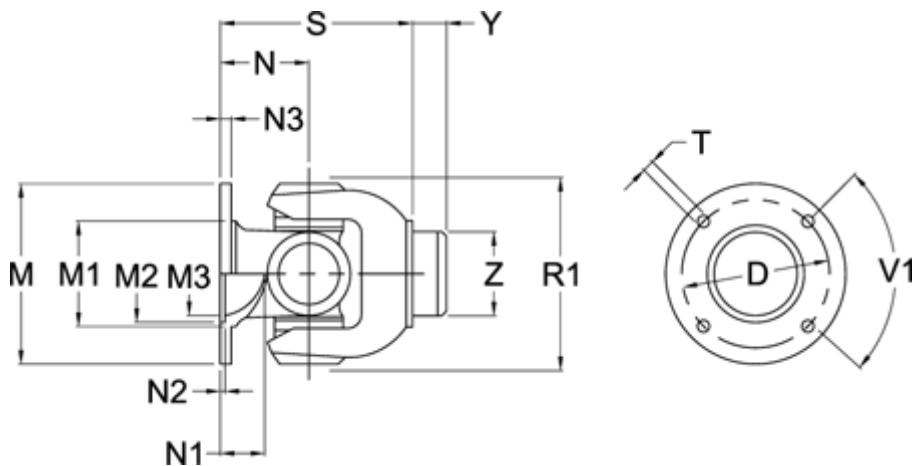


Article number: 07109051001

Description: Universal joint single 0.109.051.001
S=90 X= Bore with keyway

Measures



D	= 84 \pm 0,1	N2	= 2,5 \pm 0,3	Z = 46.25
Flange diameter M	= 100	N3	= 7	
M1	= 66	Number of Flangeholes	= 6	
M2	= 57	R1	= 86	
M3	= 50	S min	= 90	
Max. Bending Angle degrees	= 18	T	= 8 B12	
N	= 42	V1 degrees	= 60	
N1	= 20	Y	= 14	